



Reeco
ESD Workstations

ACHAT5

About Us

Polish brand REECO was established as a result of passion and work of people, who actively wanted to promote innovative solutions for electronics. Comprehensive range of equipment for electronics is a result of our long-term commitment. Hundreds of our business partners benefit from it today.

From the very beginning REECO's goal was to manufacture high quality products our customers could use with satisfaction for many years. Over 20 years of experience in electronic industry, top level professionals and modern technology guarantees products of superior quality.

Our next success is development of industrial furniture line. Already at the design stage, we were keen to create furniture which main advantages are modularity and ergonomics while maintaining proper value for money. Result of our work is industrial furniture line which we're pleased to present in this catalogue.

Innovativeness and competitive pricing level of REECO brand have already been appreciated by many customers. We provide all of our customers with favourable cooperation conditions.

Our goal is satisfaction and success of our customers as well as continuous expansion of our sales network.



ESD Protection

ESD protection is crucial for electronics industry. We have extensive experience in developing, manufacturing and supplying ESD furniture.

Static electricity

ESD Stands for Electrostatic Discharge. Static electricity is an imbalance of electric charges within or on the surface of a material. The charge remains until it is able to move away by means of an electric current or electrical discharge. Normally, electric charges are discharged slowly from objects' surfaces. However, if the difference in electric potential becomes too great the electrical current accelerates resulting in a sudden current surge. An ESD protected area is called EPA. In an EPA area ESD protection must be observed in all materials, employees' clothing and air humidity. Workstations and employees in an EPA area must also be grounded with protective resistance (1Mohm) to an ESD ground.

ESD protection

ESD protection ensures safe working environment. In electronics industry, work is often carried out in an EPA area that is protected from static discharge. Protection in this case means effective grounding, which involves both grounding equipment and painting the frame of the ESD workstation with semi-conductive paint. We have extensive experience in developing, manufacturing and supplying ESD furnishings. All our workstations and related products are supplied with an electrically semi-conducting coat of paint and we supply furnishings, seats and grounding components for ESD-protected workstations. Our products meet the requirements specified in the IEC-61340-5-1 standard.





Ergonomics

Ergonomics = efficient and safe work. A correct approach to ergonomics and a good working environment provide more energy, better results, quicker processing and less sickness absence.

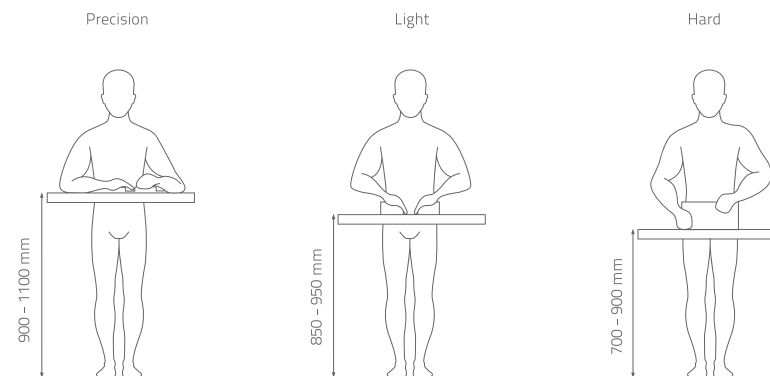
An employee cannot effectively perform the duties, if the environment is not suited to the specific psychophysical characteristics. Therefore, the issue of ergonomics must be considered a priority and includes all human psychophysical activity.

Definition of ergonomics is related with health of employee (the elimination of occupational diseases), increase their job satisfaction and maximum increase of productivity. Reeco's modular designed furniture, full selection of components and wide range of accessories allows on easy implementation of ergonomic principles in the workplace. Our goal is to create an optimal work area, so that the activities carried out during operation were consistent with natural human movements. Everything at your fingertips.

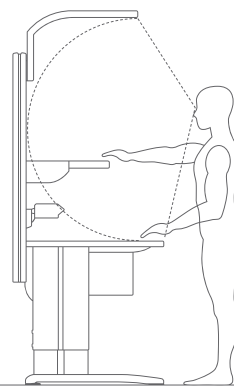
Our worktable are designed, so that the table top and shelves were always positioned at the correct height with a set of necessary accessories. Thought-out design forces the tools and equipment to be properly set and positioned. The workstation, on which all items are within reach of user are the benefit for the company, saving valuable time, security and order.

**Ergonomics and modularity
for better functionality**

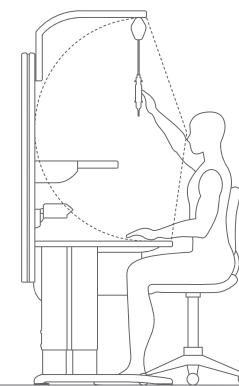
Work Type



Standing



Sitting





Modularity

Modular design is an approach that subdivides a system into smaller parts (modules) that can be independently created and then used in different systems to drive multiple functionalities.

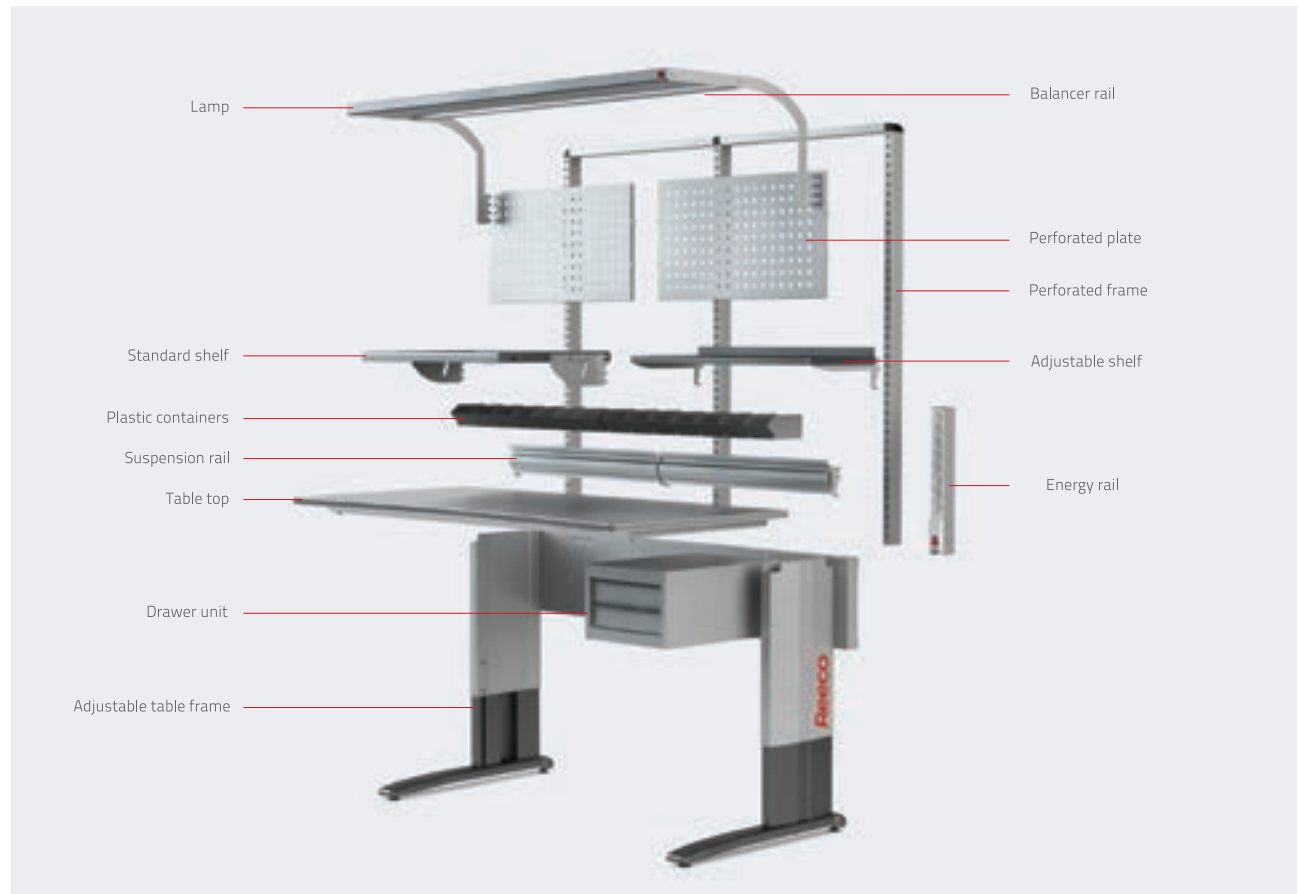
One of the most important advantages of Reeco workstations is its modularity.

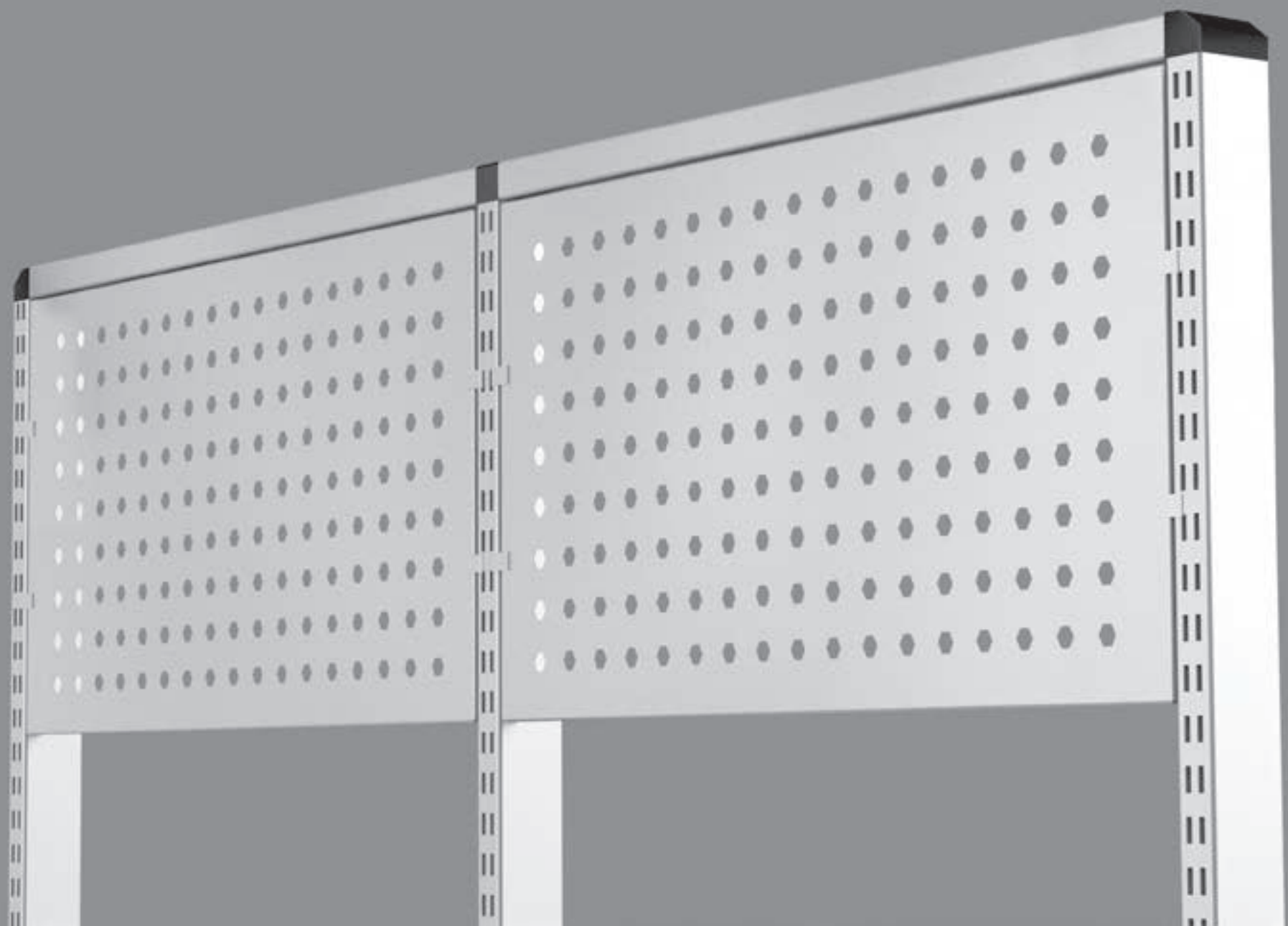
Besides reduction in cost (due to lesser customization, and less learning time), and flexibility in design, modularity offers other benefits such as augmentation (adding new solution by merely plugging in a new module), and exclusion.

Reeco workstations consist of interchangeable modules. It makes it possible to create individually chosen designs according to customer's needs allowing for subsequent extensions when necessary.

We are also able to offer pre-configured, ready-made workstations taking into account typical client's needs. We offer ready-made workstations at a very competitive price.

Reeco's modularity makes it perfect solution also for work environments implementing lean-manufacturing principles.





Upright frame

Vertical upright frame attached to back of the table is basic element of a Reeco workstation. Accessories such as shelves, plastic containers, perforated panels are mounted on the upright frame. Perforation makes it easy to mount accessories at desired height. Configuration can be modified and adjusted at any time. New accessories can be easily added.



Upright frames

Upright frames are available in three standard widths. Given width is measured from center to center of the tube.

Type	Width (mm)	Max Height (mm)
Single	900	1555
Double	2 x 750	1555
Double	2 x 900	1555





ESD Table Tops

Table top's design is crucial for workstation's ergonomics. Reeco workstations are equipped with sturdy 26,6mm thick table tops. ESD chipboard core is from both sides (top and bottom) covered with two layers of conductive laminate. This is unique solution. Edges are finished with scratch resistant ABS. Reeco table tops are available in two shapes – rectangular and ergonomic slightly concave front edge.



Stepless height adjustment

Table top height is steplessly adjustable from 670 to 1120 mm. Thanks to this feature table top height can be adjusted according to operator's height as well as working mode (seated or standup).

Type	Width (mm)	Depth (mm)	Thickness (mm)
Ergonomic	1530 1830	750-820	26.6*
Economy	1200 1530 1830	750	26.6*

* 30 mm - option





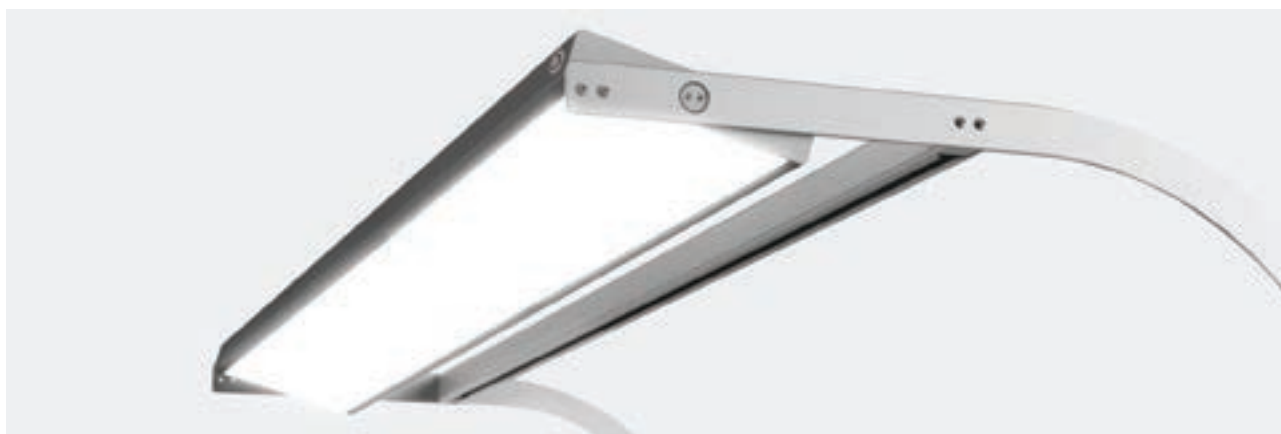
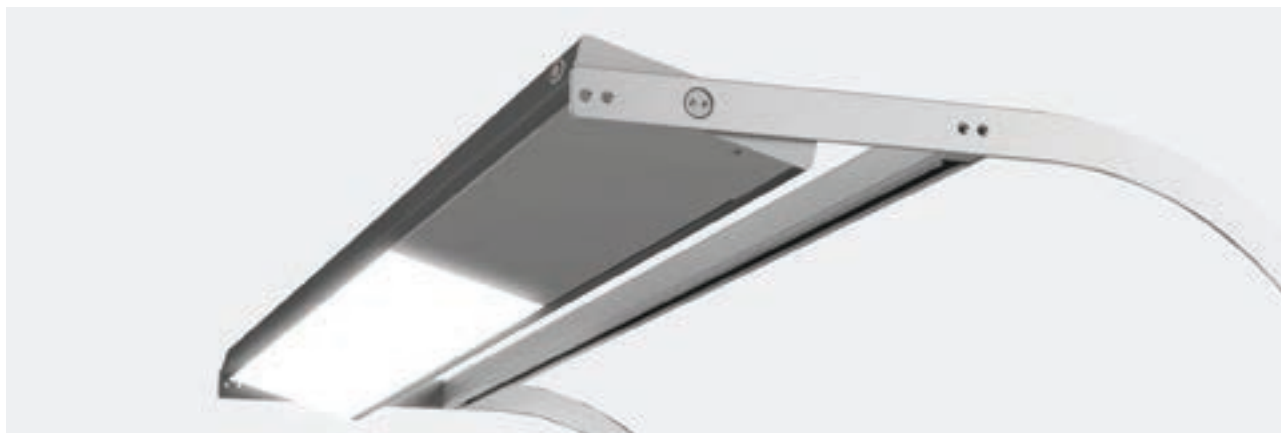
Lighting

Quality of lighting in a workplace can have significant effect on productivity. With adequate lighting workers can produce more products with fewer mistakes, which can lead to a 10-50 % increase in productivity. Good lighting can decrease errors by 30-60 % as well as decrease eye-strain and the headaches, nausea, and neck pain which often accompany eyestrain.



Adequate lighting allows workers to concentrate better on their work which increases productivity. Reeco ergonomic lamps provide optimum lighting conditions in which even many working hours do not cause eye fatigue. Lighting is designed in accordance with European standard EN 12464-1. Emitted light does not cause eye-tiring glare and shine.

Width (mm)
900
1500 (3D)
1800 (3D)





Upright frame

Vertical upright frame attached to back of the table is basic element of a Reeco workstation. Accessories such as shelves, plastic containers, perforated panels are mounted on the upright frame. Perforation makes it easy to mount accessories at desired height. Configuration can be modified and adjusted at any time. New accessories can be easily added.

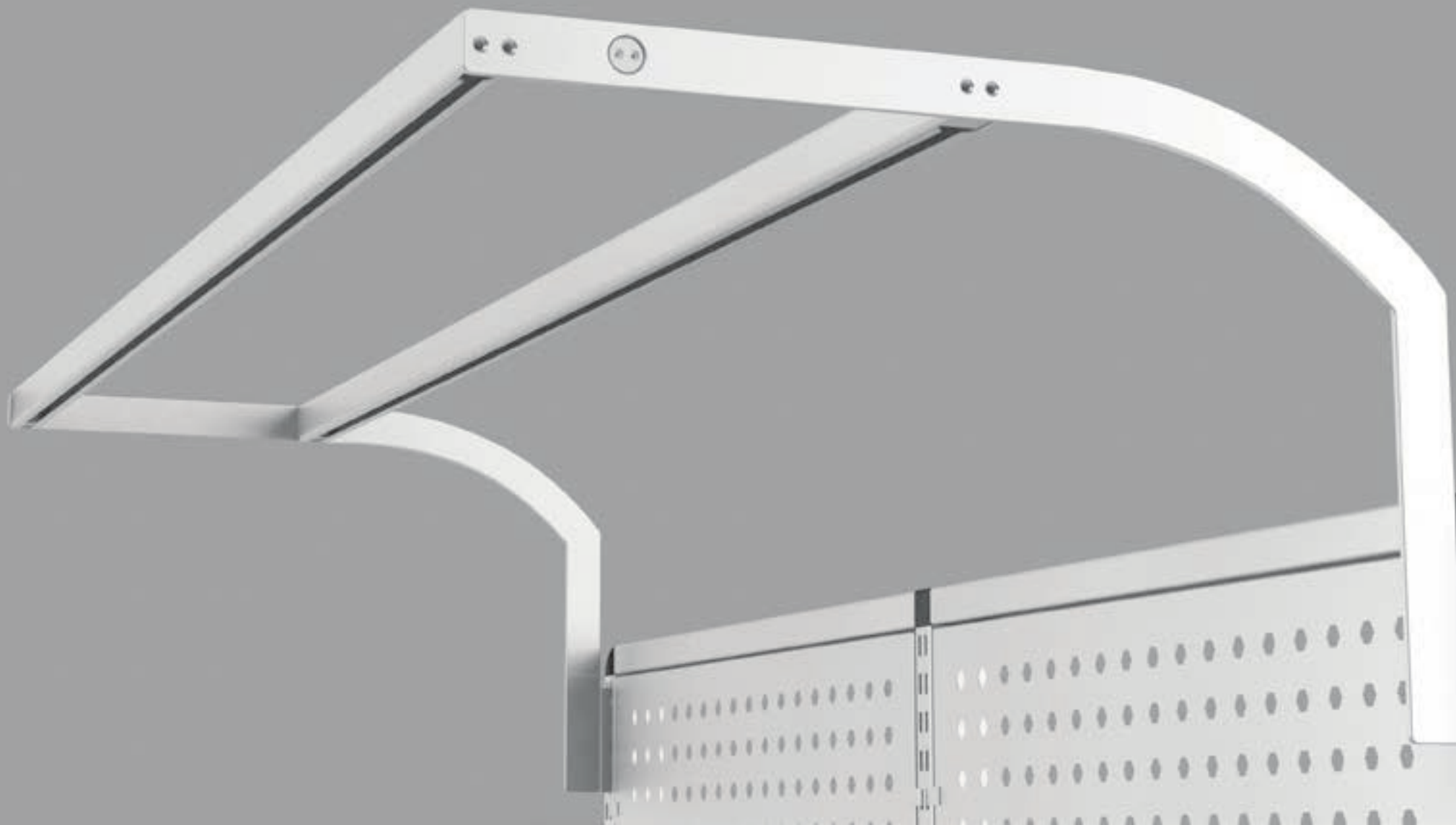


Upright frames

Upright frames are available in three standard widths. Given width is measured from center to center of the tube.

Type	Width (mm)	Max Height (mm)
Single	900	1555
Double	2 x 750	1555
Double	2 x 900	1555





Lamp Mounting Bracket

Lamps, spotlight and additional tools are fitted to horizontal mounting brackets. Brackets are adjustable which allows you to mount lighting at desired height.

Lamp bracket

Lamps are fitted to horizontal rails. Rails are height adjustable which allows you to mount lighting at desired height.

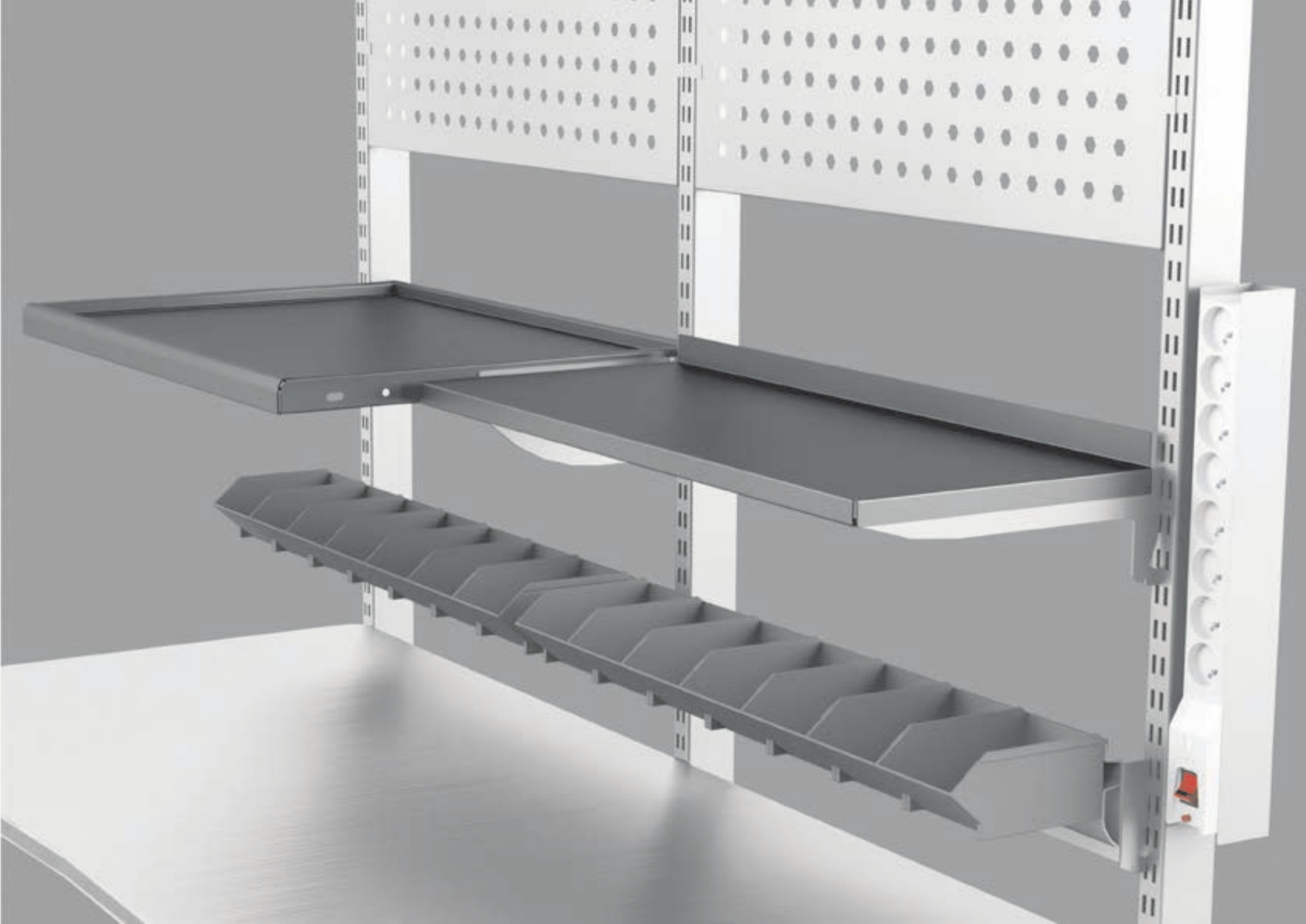
Width (mm)
900
1500
1800

Light/balancer rail

Horizontal rail allows you to mount tools, eg. Electric screwdrivers. Also additional spotlights can be fitted to horizontal rails. Rails are height adjustable which allows you to mount lighting at desired height.

Width (mm)	Max. load (kg)
900	15
1500	15
1800	15





Accessories

Wisely chosen accessories improve functionality and ergonomics of the workstation. Thanks to it work becomes smoother, more efficient and easier. Accessories such as shelves, perforated panels or various plastic containers let you store you tools and components in the right place where they're easy to reach.

Standard shelf

Standard shelves are made of steel. Two standard widths available. Both compatible with upright frames. Upon request shelf can be equipped with customized non-slipping ESD mat.



Width (mm)	Depth (mm)
750	300
900	300

Adjustable shelf

Adjustable shelves are also available in two module sizes 750 and 900 mm. Stepless angle adjustment (10°-30°). Upon request shelf can be equipped with customized non-slipping ESD mat.



Width (mm)	Depth (mm)
750	500
900	500

Drawer unit

Drawer can be fastened under table top and serve as storage space. There are three types of drawers available (see chart below). Also available movable version with castors.



Width (mm)	Depth (mm)	Height (mm)
380	520	260

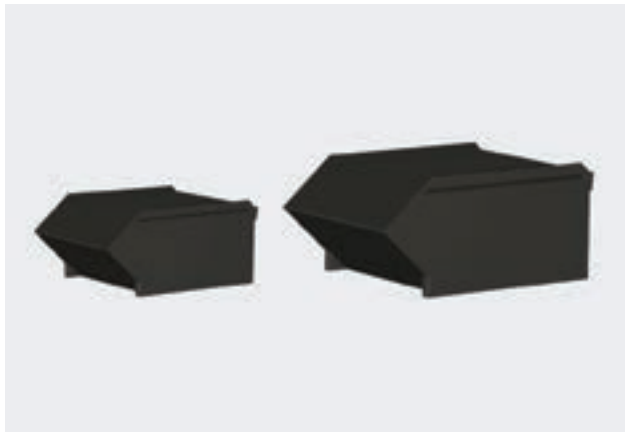
- two drawers, central locking/master key

Accessories

Wisely chosen accessories improve functionality and ergonomics of the workstation. Thanks to it work becomes smoother, more efficient and easier. Accessories such as shelves, perforated panels or various plastic containers let you store you tools and components in the right place where they're easy to reach.

Plastic containers

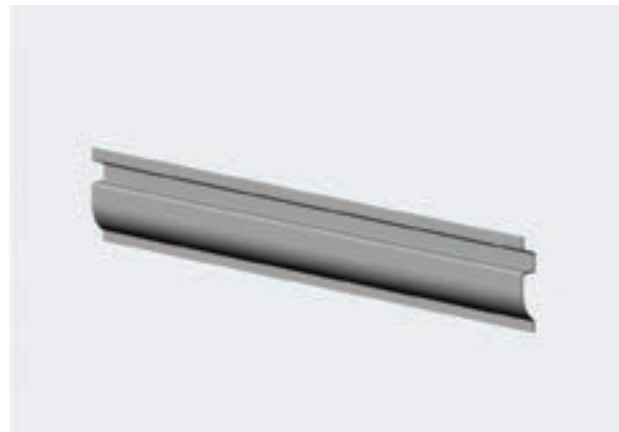
Plastic containers are available in two standard sizes. They're perfect for storing small parts. Plastic containers are mounted onto suspension rail. ESD safe.



Type	Capacity (liter)
Small	1.0
Medium	3.8

Suspension rail

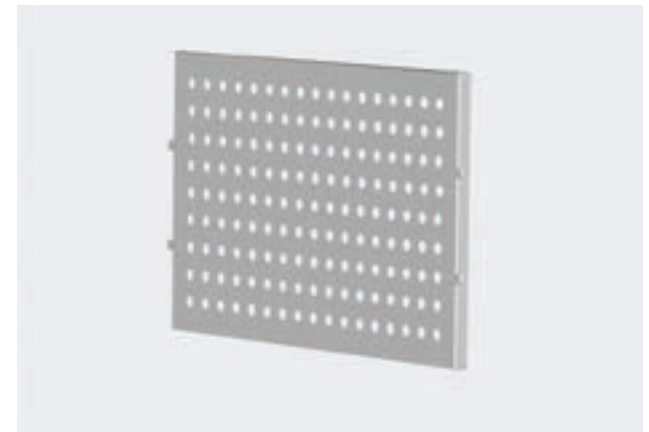
Suspension rail is dedicated for mounting plastic containers on upright frames over the tabletop. Suspension rail is fastened using clips. It can be mounted at any height ensuring ergonomic working position.



Width (mm)
750
900

Perforated panel

Perforated panel is fastened onto the upright frame. It's fastened with four fastening clips. There are two standard widths available.



Width (mm)	Height (mm)
750	400
900	400

Chairs

ESD chair is very important part of every workstation. Reeco offers variety of chairs. All our ESD chairs are suitable for use in static controlled environments. Our ESD chairs are designed and manufactured in Poland specifically for use in the electronics. This range of chairs prevents the build-up of static electricity by dissipating any static charges directly to earth via conductive wheels.

SOLO Chair

Five-pointed star polished aluminium base (homogeneous, reinforced aluminium cast) – high durability and stability.
Antistatic self-locking castors as standard.
Gas shock-absorber – adjustable seat height 46.5-55 cm



Trolleys

Our ESD trolleys are suitable for use in static controlled environments. Our ESD trolleys are designed and manufactured in Poland specifically for use in the electronics. This range of trolleys prevents the build-up of static electricity by dissipating any static charges directly to earth via a conductive castors

Cabinet-Trolley

Cabinet has 4 drawers and 4 antistatic swivel castors. Worktop can be equipped with an antistatic mat to prevent slipping off items. Drawer height: 1x100, 2x150, 1x200



Platform trolley

Designed for moving heavy loads within EPA. ESD protected. Max load: 300 kg.



ESD pallet jack

Designed for moving heavy loads within EPA. ESD protected. Max load: 2000 kg.



Reeco
ESD Workstations

Reeco

Al.Kazimierza Wielkiego 6E
87-800 Włocławek, Poland



Distributed by:



Achat Engineering GmbH
Marie-Curie-Str. 3c
38268 Lengede
info@achat5.com
Tel. 05344 803 99 - 0

©2013 All rights reserved.